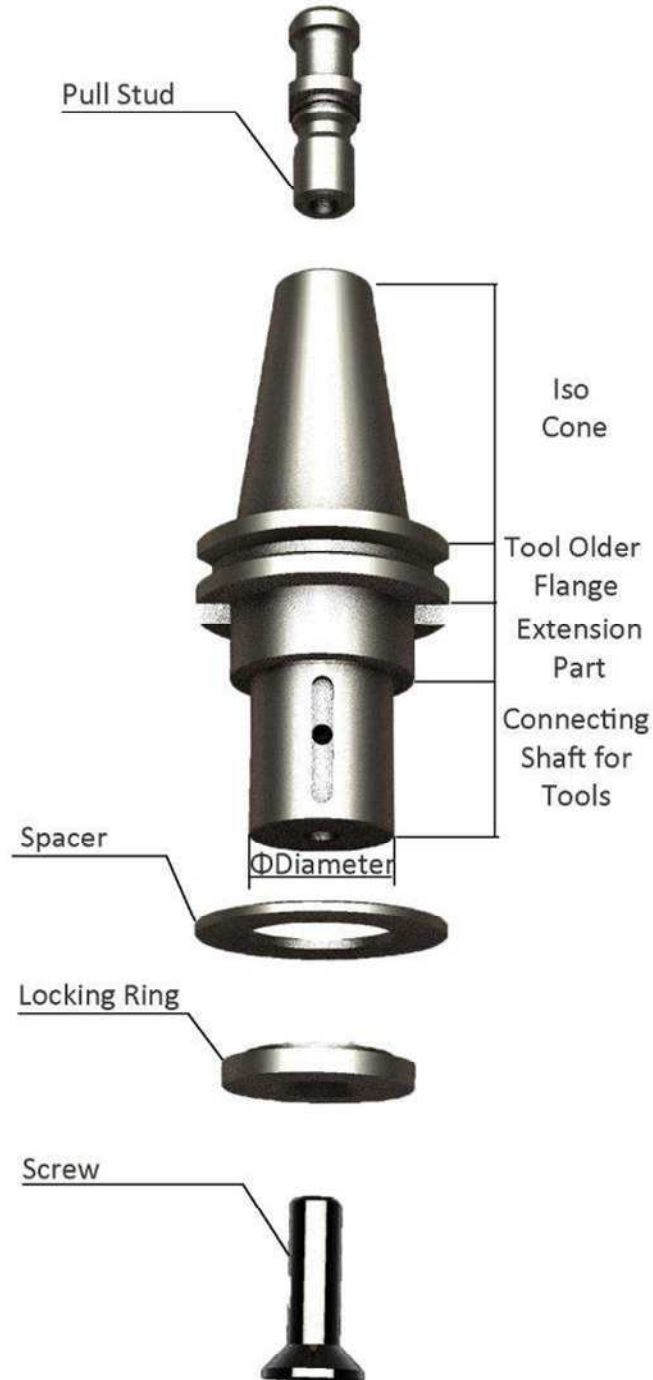




[BACK TO INDEX](#)

ISO CONE PARTS




TOOL HOLDERS WITH 1/2" GAS CONNECTION AND SHAFT Ø 35MM
CONI 1/2" GAS E CON PERNO Ø 35MM


| Code | Product details | Machine | Unit Price [€] |
|---------|--------------------|---------|-------------------|
| SL01037 | HSK B80 - 1/2" Gas | Breton | 185 |
| SL01549 | HSK B80 - 35x52(*) | Breton | 239 |



| Code | Product details | Machine | Unit Price [€] |
|---------|----------------------|-----------------------|-------------------|
| SL01554 | ISO 40 - 1/2" Gas(-) | Intermac Bavelloni | 119 |
| SL01556 | ISO 40 - 35x52(*) | Northwood | 165 |



| Code | Product details | Machine | Unit Price [€] |
|---------|----------------------|--------------|-------------------|
| SL01572 | ISO 40 - 1/2" Gas(-) | CMS/Brembana | 119 |
| SL01571 | ISO 40 - 35x52(*) | | 165 |



| Code | Product details | Machine | Unit Price [€] |
|---------|---------------------|-------------------|-------------------|
| SL01544 | BT 40 - 1/2" Gas(-) | Denver Thibaut | 116 |
| SL01542 | BT 40 - 35x52(*) | Park Industries | 160 |

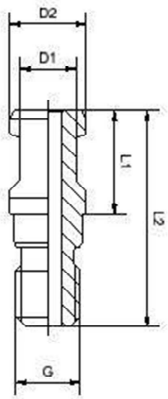


(-) Cone without pull stud

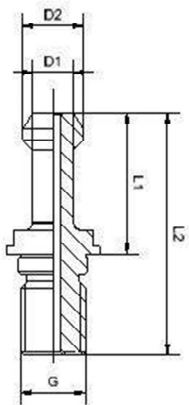
(*) Cone without pull stud , with 2 spacers 60x5 calibrated , 2 spacers 48x5 calibrated , screw M12x30 and locking washer

PULL STUD

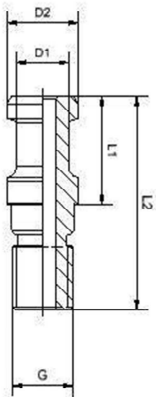
[BACK TO INDEX](#)



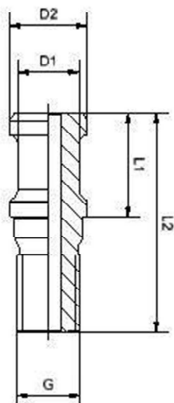
| Code | D1 | D2 | L1 | L2 | G | Machine | Unit Price [€] |
|---------|----|----|----|----|-------|--|-------------------|
| SL01026 | 14 | 19 | 26 | 54 | M16x2 | CMS/Brembana Bavelloni Park Industries (II° Gen.) Northwood | 25 |



| Code | D1 | D2 | L1 | L2 | G | Machine | Unit Price [€] |
|---------|----|----|----|----|-------|--|-------------------|
| SL01057 | 10 | 15 | 35 | 60 | M16x2 | V.E.M. Denver Park Industries (I° Gen.) Thibaut (Old) | 25 |



| Code | D1 | D2 | L1 | L2 | G | Machine | Unit Price [€] |
|---------|----|----|----|----|-------|---------------|-------------------|
| SL01425 | 14 | 19 | 29 | 57 | M16x2 | Thibaut (New) | 25 |



| Code | D1 | D2 | L1 | L2 | G | Machine | Unit Price [€] |
|---------|----|----|----|----|-------|----------|-------------------|
| SL01109 | 15 | 19 | 26 | 54 | M16x2 | Intermac | 25 |

