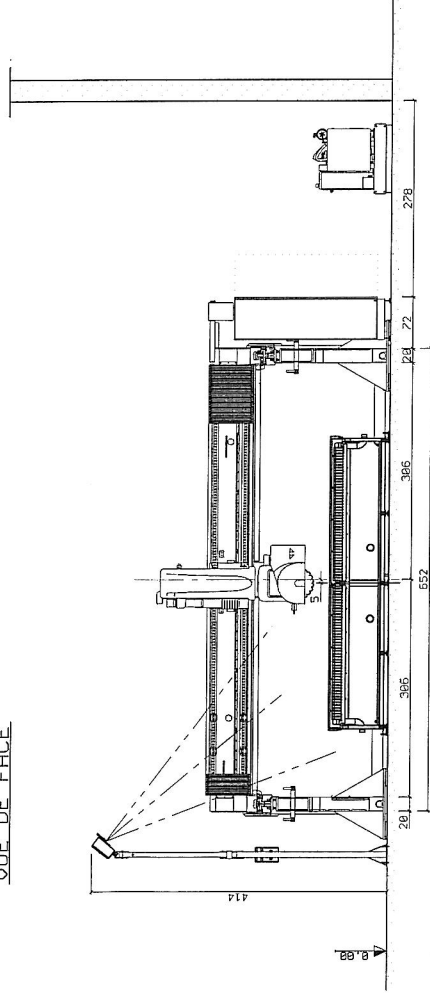
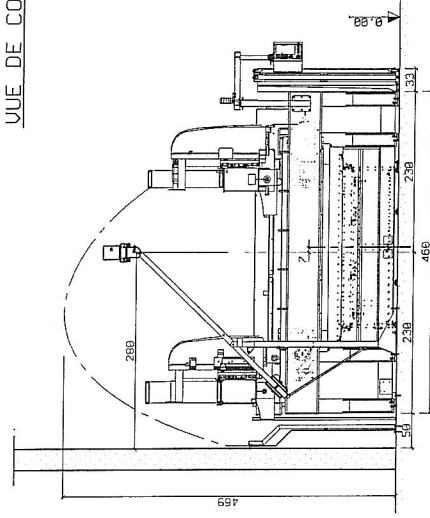


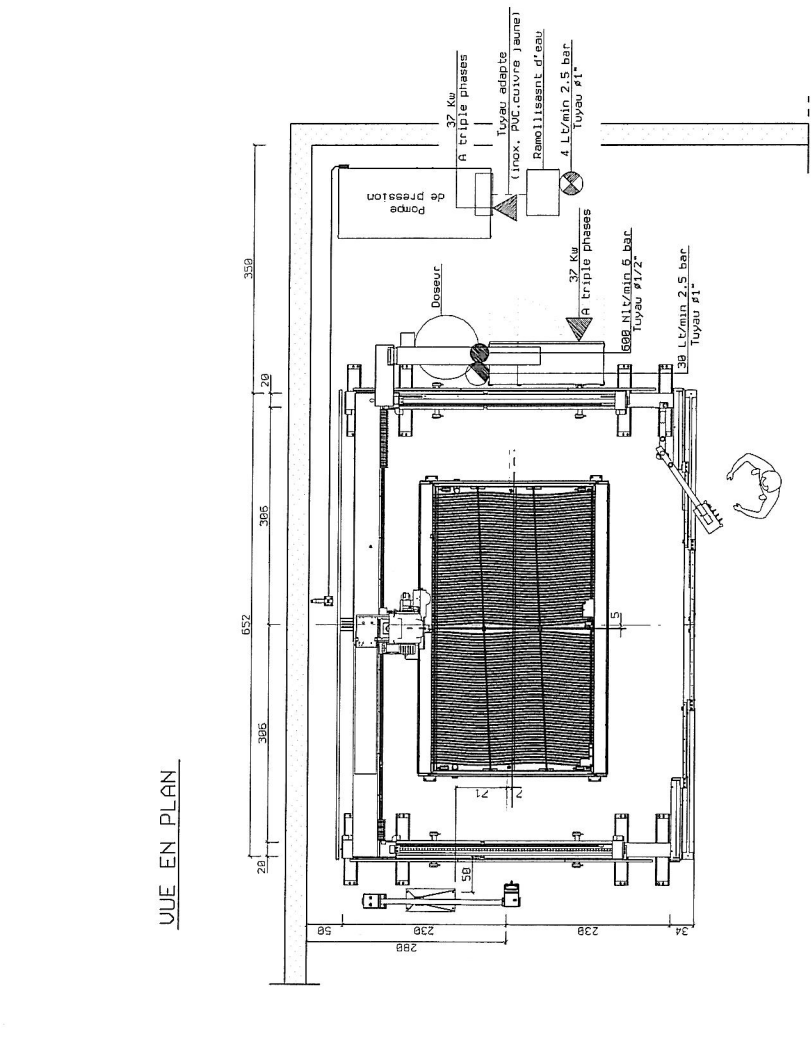
VUE DE FACE



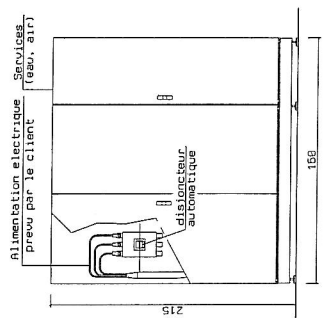
VUE DE COTE



VUE EN PLAN



DETAIL TABLEAU DE DISTRIBUTION



**SPECIFICATIONS**

DALLE EN BETONIR-250KG/cm<sup>2</sup>(20 jours) EPaisseur MIN. -20cm  
 ARRE AVEC TREILLIS EN ACIER 8mm/20x20cm (R-4480kg)

SI RIEN D'AUTRE N'EST INDIQUE, TOUTES LES DIMENSIONS SONT EN CM

PROJETS	DATE	DRAWING	DATE	REVISION	DATE
0	12/01/2014	FRACCARD.O	12/01/2014	FRACCARD.O	12/01/2014
DESCRIPTION MODIFIER		DESCRIPTION		DESCRIPTION	
SOI CERTIFICADO N.0025676		UNI EN ISO 9001		 	
CLIENTE :		CUSTOMER :		SCALE :	
				1:50	
DENOMINAZIONE/DESCRIPTION :		N° DISEGNO/N° DRAWING :		REV :	
COMBICUT DJ/NC 550		1158 - 9900L		CM	
LAYOUT GENERAL				587887	

NOTE: THIS DRAWING IS THE PROPERTY OF IONTEC S.p.A. and is not to be distributed outside the company without written permission from IONTEC S.p.A. All contents within this document are copyrighted, published, distributed, disseminated, or otherwise made available in any form without the prior written consent of IONTEC S.p.A.