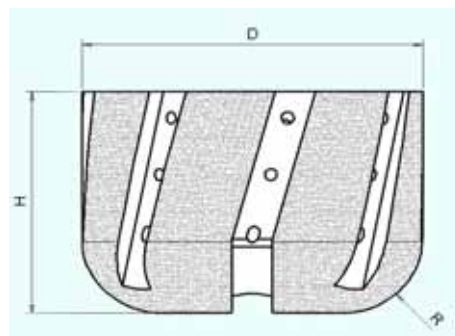


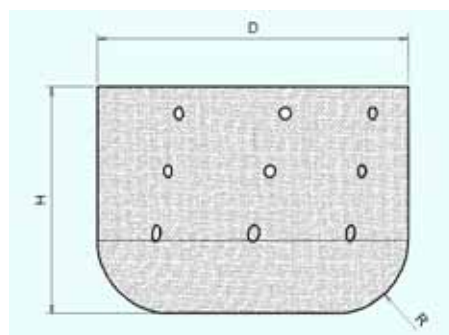
**FRESE PER SCAVO MASSELLO MARMO SALDOBASATA**  
**TOOLS FOR EXECUTING SOLID PIECES SINKS (MARBLE) VAACUM BRAZED**



**FORO STANDARD 35 mm / Standard Bore 35 mm**

Articolo Code	Descrizione Description	Dimensioni Dimensions [mm]	Attacco Fitting	Grana Grit Size	Prezzo Price List [€uro]
------------------	----------------------------	----------------------------------	--------------------	--------------------	--------------------------------

PB60003	Fresa Sagomata Profile Wheel	85x60 R=25	F=35	Grossa Coarse	507
---------	---------------------------------	------------	------	------------------	-----



**FORO STANDARD 35 mm / Standard Bore 35 mm**

Articolo Code	Descrizione Description	Dimensioni Dimensions [mm]	Attacco Fitting	Grana Grit Size	Prezzo Price List [€uro]
------------------	----------------------------	----------------------------------	--------------------	--------------------	--------------------------------

PB60027	Fresa Sagomata Profile Wheel	85x60 R=25	F=35	Fine Fine	384
---------	---------------------------------	------------	------	--------------	-----

**COMARTEX**

☎ 01 45 76 53 03  
 ☎ 01 45 76 76 82  
 mail : comartex@comartex.fr  
 site : www.comartex.com

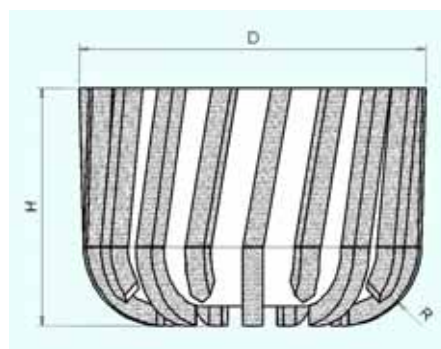


De la qualité, des prix et du choix...

La preuve en vidéo sur le

www. **COMARTEX** .com

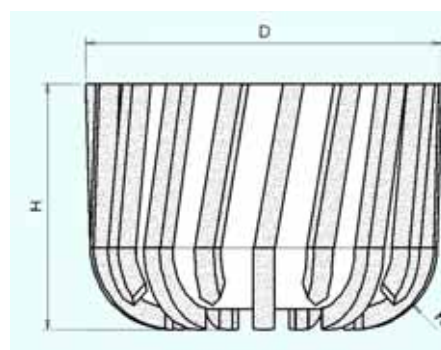
**Frese per scavo massello granito**  
**Tools for Executing Solid Pieces Sinks (Granite)**



**FORO STANDARD 35 mm / Standard Bore 35 mm**

Articolo Code	Descrizione Description	Dimensioni Dimensions [mm]	Attacco Fitting	Grana Grit Size	Prezzo Price List [€uro]
------------------	----------------------------	----------------------------------	--------------------	--------------------	--------------------------------

PB30085	Fresa Sagomata Profile Wheel	85x60 R=25	F=35	Grossa Coarse	468
---------	---------------------------------	------------	------	------------------	-----



**FORO STANDARD 35 mm / Standard Bore 35 mm**

Articolo Code	Descrizione Description	Dimensioni Dimensions [mm]	Attacco Fitting	Grana Grit Size	Prezzo Price List [€uro]
------------------	----------------------------	----------------------------------	--------------------	--------------------	--------------------------------

PB30100	Fresa Sagomata Profile Wheel	85x60 R=25	F=35	Fine Fine	441
---------	---------------------------------	------------	------	--------------	-----

**COMARTEX**

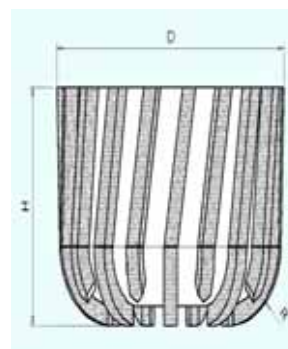
☎ 01 45 76 53 03  
 ☎ 01 45 76 76 82  
 mail : comartex@comartex.fr  
 site : www.comartex.com



De la qualité, des prix et du choix...

La preuve en vidéo sur le  
[www.COMARTEX.com](http://www.COMARTEX.com)

**Frese per scavo massello granito**  
**Tools for Executing Solid Pieces Sinks (Granite)**



**FORO STANDARD 35 mm / Standard Bore 35 mm**

<b>Articolo Code</b>	<b>Descrizione Description</b>	<b>Dimensioni Dimensions [mm]</b>	<b>Attacco Fitting</b>	<b>Grana Grit Size</b>	<b>Prezzo Price List [€uro]</b>
--------------------------	------------------------------------	---	----------------------------	----------------------------	---

PB30127	Fresa Sagomata <i>Profile Wheel</i>	60x60 R=20	F=35	Grossa <i>Coarse</i>	450
---------	--	------------	------	-------------------------	-----

<b>Articolo Code</b>	<b>Descrizione Description</b>	<b>Dimensioni Dimensions [mm]</b>	<b>Attacco Fitting</b>	<b>Grana Grit Size</b>	<b>Prezzo Price List [€uro]</b>
--------------------------	------------------------------------	---	----------------------------	----------------------------	---

PB30128	Fresa Sagomata <i>Profile Wheel</i>	60x60 R=20	F=35	Fine <i>Fine</i>	425
---------	--	------------	------	---------------------	-----

**COMARTEX**

☎ 01 45 76 53 03  
 ☎ 01 45 76 76 82  
 mail : comartex@comartex.fr  
 site : www.comartex.com



De la qualité, des prix et du choix...

La preuve en vidéo sur le

www. **COMARTEX** .com

**ATTACCO M30—FLANGIA PER FRESE SCAVO MASSELLO**  
**FLANGE FITTING TOOLS FOR EXECUTING SOLID PIECES SINKS**



<b>Articolo Code</b>	<b>Descrizione Description</b>	<b>Prezzo Price List [€uro]</b>
SL01077	Attacco M30 Lunghezza Utile LU=70 <i>M30 Fitting lenght LU=70</i>	83
SL01072	Attacco M30 Lunghezza Utile LU=140 <i>M30 Fitting lenght LU=140</i>	83



<b>Articolo Code</b>	<b>Descrizione Description</b>	<b>Prezzo Price List [€uro]</b>
SL01088	Attacco Flangia Lunghezza Utile LU=70 <i>Flange Fitting lenght LU=70</i>	99
SL01095	Attacco Flangia Lunghezza Utile LU=160 <i>Flange Fitting lenght LU=160</i>	99

**COMARTEX**

☎ 01 45 76 53 03  
 ☎ 01 45 76 76 82  
 mail : comartex@comartex.fr  
 site : www.comartex.com



De la qualité, des prix et du choix...

La preuve en vidéo sur le

www. **COMARTEX** .com